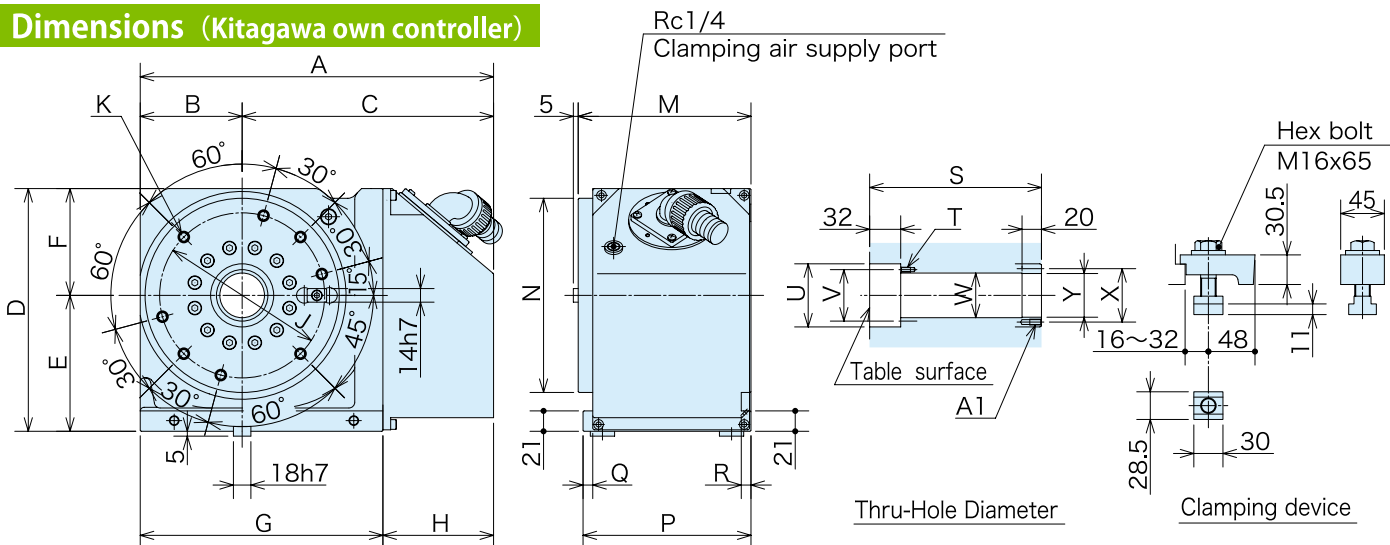


Dimensions (Kitagawa own controller)

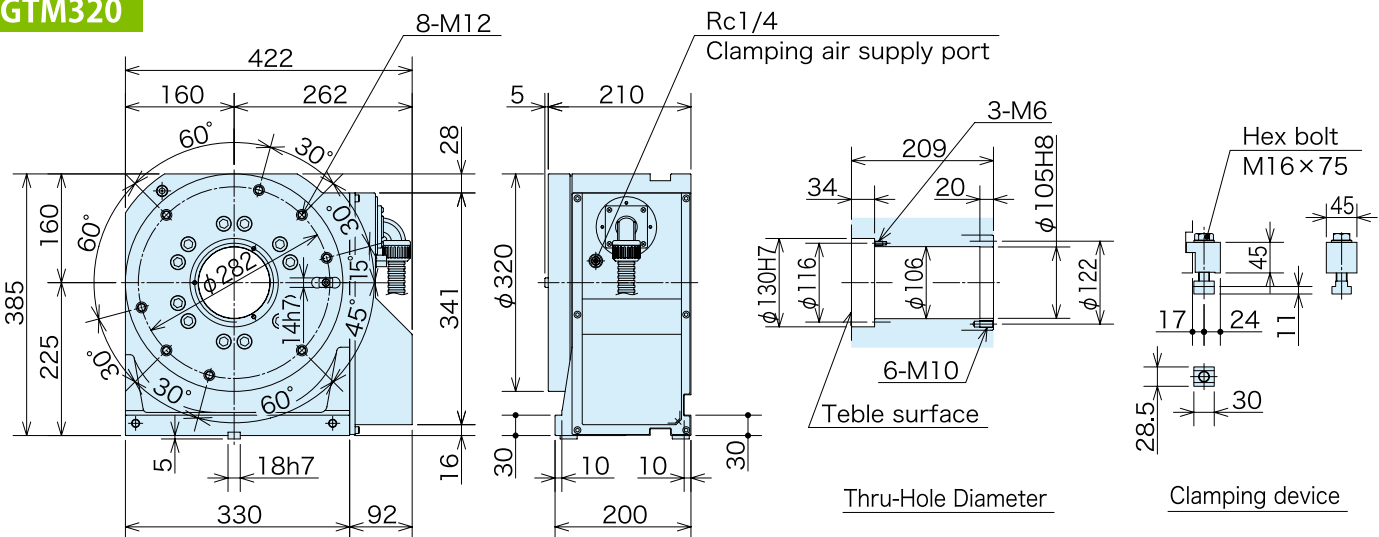


GTM200 • 250

(Unit : mm)

Model	A	B	C	D	E	F	G	H	J	K	M	N	P	Q	R	S	T	U	V	W	X	Y	A1
GTM200	364	105	259	250	140	110	250	114	φ 170	8-M10	178	φ 200	173	10	10	177	3-M5	φ 65H7	φ 53	φ 46	φ 55	φ 45H8	6-M6
GTM250	387	125	262	305	180	125	275	112	φ 208	8-M12	185	φ 250	180	9	9	184	3-M6	φ 100H7	φ 86	φ 71	φ 83	φ 70H8	6-M8

GTM320



KITAGAWA

Machine Tool Accessories <http://www.mta.kiw.co.jp/>

KITAGAWA IRON WORKS CO., LTD.

77-1 Motomachi, Fuchu-shi, Hiroshima-pref. 726-8610, Japan

TEL +81 847-40-0526 FAX +81 847-45-8911

· Specifications and outside appearance are subject to change without notice due to ongoing research and development.
 · The color of the actual product may be different from the catalogue's due to printing matters.
 · Catalogue contents as of 2009.9
 · The products herein are controlled under Japanese Foreign Exchange and Foreign Trade Control Act. In the event of importing and/or exporting the products, you are obliged to consult KITAGAWA as well as your government for the related regulation prior to any transaction.