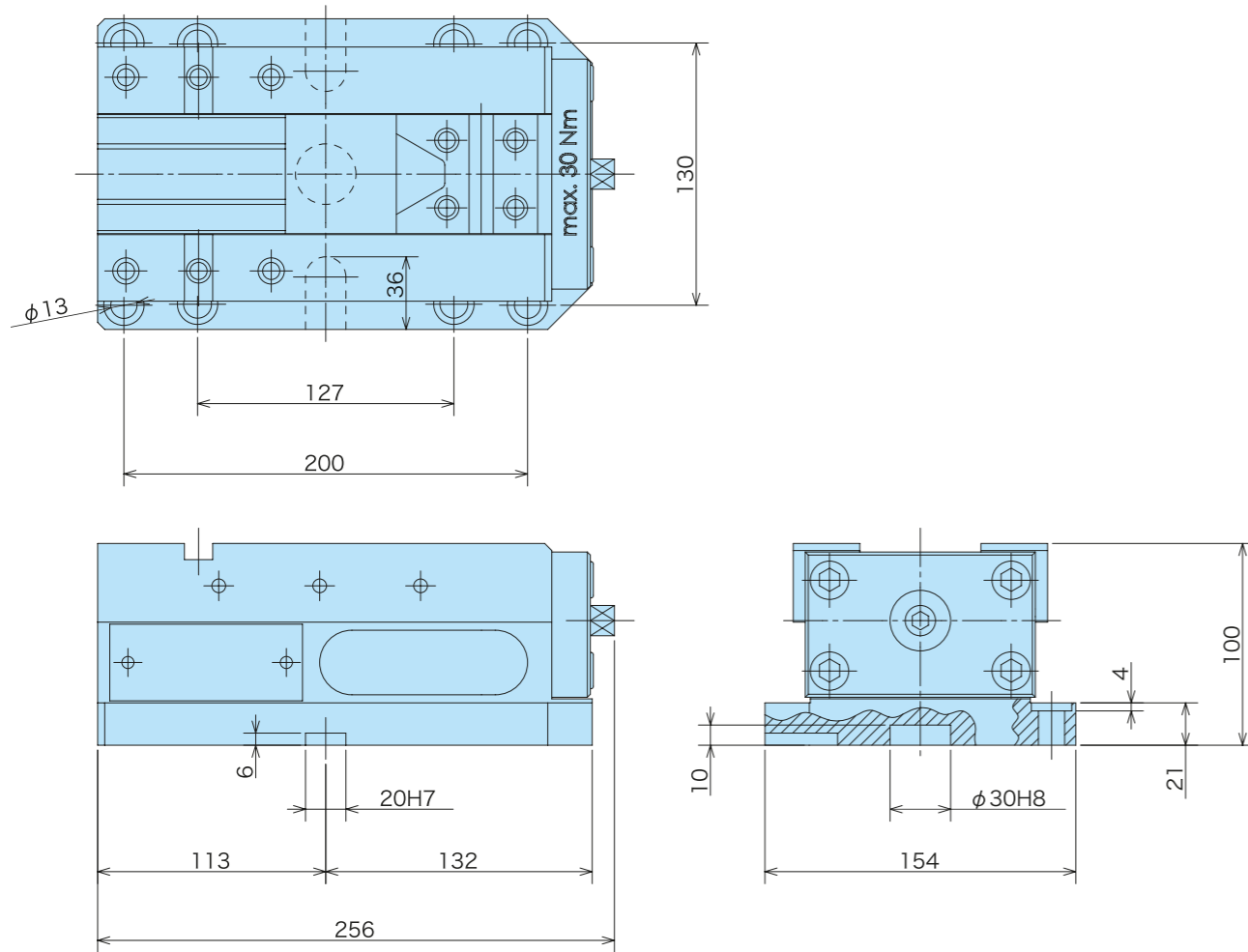




MC Compact Vise VAX125



Specifications

Model	Total height mm	Full width mm	Full length mm	Max. clamping force kN	Mass kg
VAX125	100	154	256	40	17

KITAGAWA
Machine Tool Accessories <http://www.mta.kiw.co.jp/>

KITAGAWA IRON WORKS CO., LTD.

77-1 Motomachi, Fuchu-shi, Hiroshima-pref. 726-8610, Japan
TEL +81 847-40-0526 FAX +81 847-45-8911

· Specifications and outside appearance are subject to change without notice due to ongoing research and development.
· The colour of the actual product may be different from the catalogue's due to printing matters.
· Catalogue contents as of 2011.9
· The products herein are controlled under Japanese Foreign Exchange and Foreign Trade Control Act. In the event of importing and/or exporting the products, you are obliged to consult KITAGAWA as well as your government for the related regulation prior to any transaction.

FNO.1/Printed in Japan 2011.9.1,000



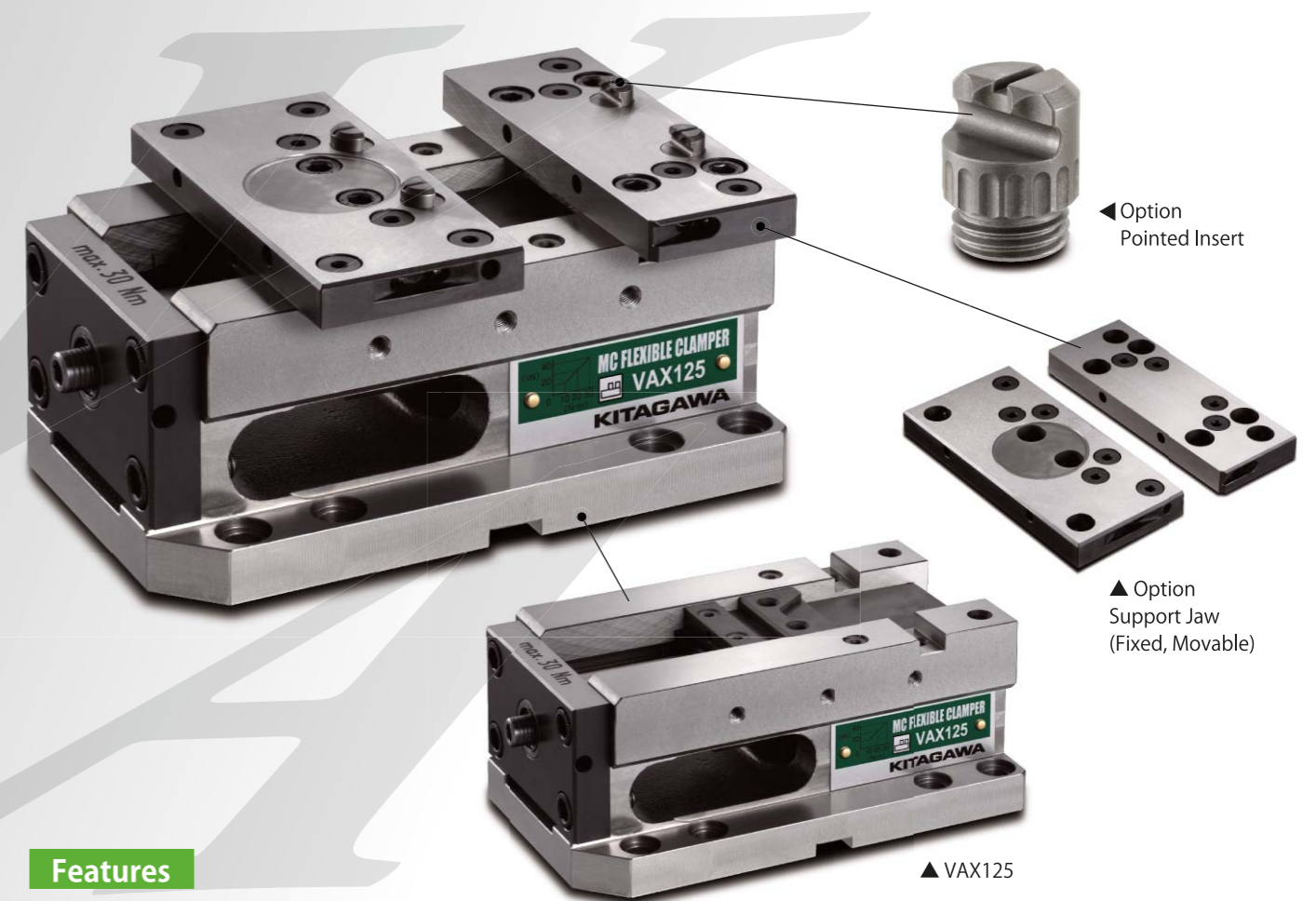
KITAGAWA
Machine Tool Accessories

MC Compact Vise

VAX125



Compact Vise with versatile clamping for 5-axis machines



Features

■ Secure and accurate clamping!

Max. clamping torque 40kN allows a wide variety of materials to be held.

■ Optional Jaws and Clamping Inserts!

3 jaws and 2 clamping insert types are available to accommodate various workpieces.

■ Suitable for various applications!

Compact body design allows assembly to a variety of 3 to 5-axis machines.

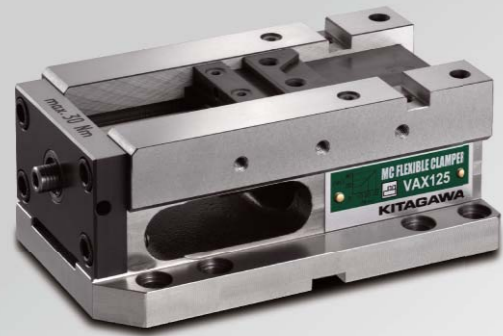
KITAGAWA can offer the complete workholding solution by combining VAX125 with NC Rotary Table.

Clamping Example



▲ Workpiece
Material: SCM420H Diameter: 225mm

MC Compact Vise VAX125



Body Material

Casting

Standard Accessories

- **Mounting Bolt** (M12×35)
- **Torque Wrench**
- **Socket Screw Wrench** (3 sizes)

* For fixing VAX125 on Machines with 13mm dia. Bolt hole.



Option

- 9 clamping ways are available by only 1 VAX125 with the combinations of inserts and jaws !
- Optimum clamping way can be found for various workpieces !

Support Jaw (Fixed, Movable) 	64mm Width Jaw (Fixed, Movable) 	Step Jaw (Fixed, Movable) 	Universal Jaw (Fixed, Movable) 	Pointed Insert
Flat Insert 	Round Insert 	Stepped Guide Block (20/14,20/16,20/18) 	Clamp Device Assembly (14,16,18) 	Universal Clamp Set

※The material of all jaws is hardened steel. ※All the jaw fixed and the jaw movable should be purchased seperately. ※The material of all inserts is hardened steel.

Combination Example

Pointed Insert Clamping

Clamping Range

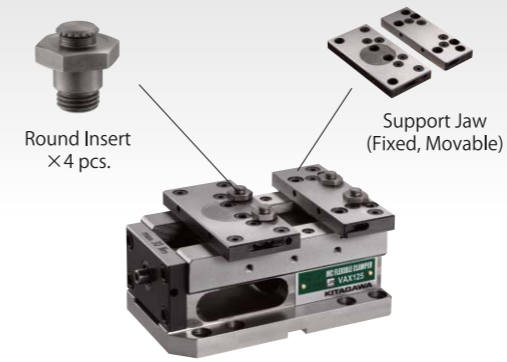
	Min.	Max.
Square Workpiece	W70mm x L26mm	W150mm x L184mm
Round Workpiece	80mm dia.	226mm dia.

Flat Insert Clamping

Clamping Range

	Min.	Max.
Square Workpiece	W70mm x L30mm	W150mm x L188mm
Round Workpiece	82mm dia.	228mm dia.

Round Insert Clamping



Clamping Range

	Min.	Max.
Square Workpiece	W70mm x L18mm	W150mm x L176mm
Round Workpiece	76mm dia.	222mm dia.

64mm Width Jaw Clamping

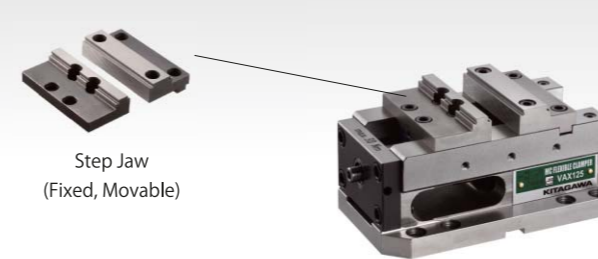


Clamping Range

	64mm Width Jaw (Fixed, Movable)		64mm Width Jaw (Fixed, Movable) with Insert (Pointed, Flat, Round)			
	Min.	Max.				
	L0mm	L50mm				

	Width	Length S1		Length S2		Length S3	
	Min.	Min.	Max.	Min.	Max.	Min.	Max.
Pointed	50mm	19mm	67mm	61mm	137mm	128mm	208mm
Flat	50mm	23mm	71mm	65mm	141mm	132mm	212mm
Round	50mm	15mm	59mm	53mm	129mm	120mm	200mm

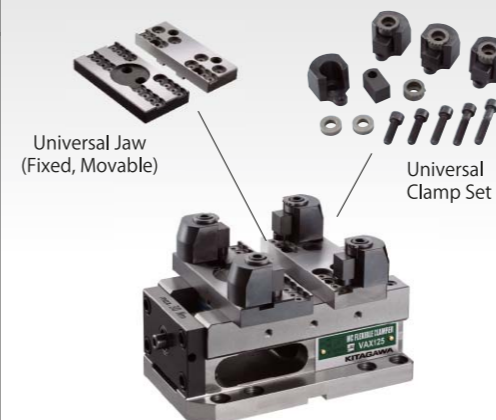
Step Jaw Clamping



Clamping Range

	Length S1		Length S2		Length S3	
	Min.	Max.	Min.	Max.	Min.	Max.
	0mm	58mm	8mm	66mm	77mm	182mm

Universal Clamp Set Clamping



Clamping Range

	Min.	Max.
Square Workpiece	W90mm x L23mm	W165mm x L125mm
Round Workpiece	60mm dia.	170mm dia.